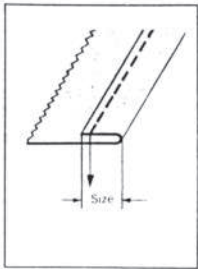
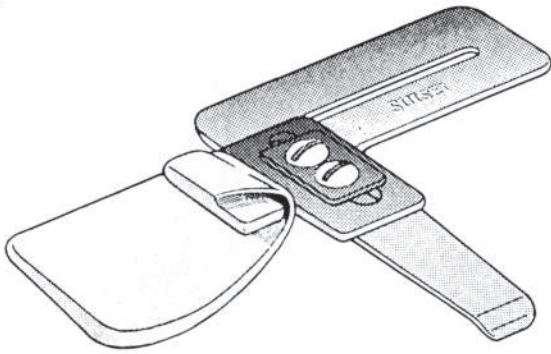


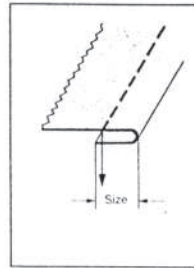
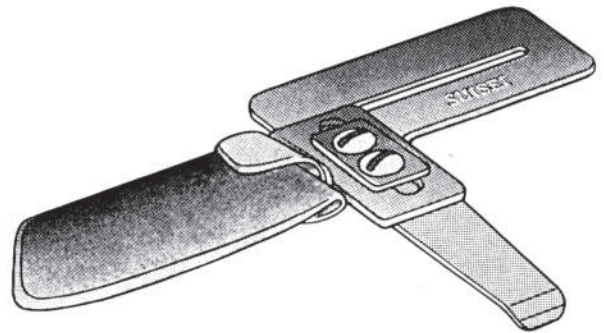
A



Sizes	
3/16"	4.8 mm
1/4"	6.4 "
5/16"	8.0 "
3/8"	9.5 "
1/2"	12.7 "
5/8"	15.9 "
3/4"	19.0 "
7/8"	22.2 "
1"	25.4 "

A75U

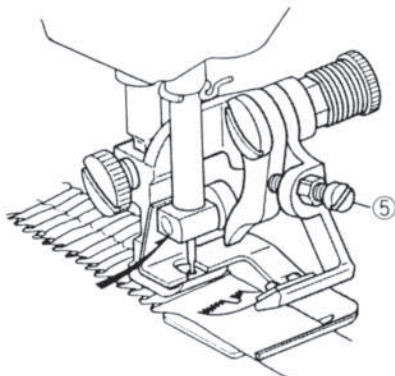
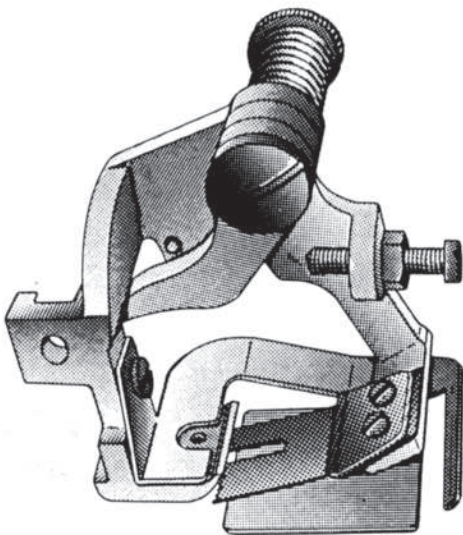
B



Sizes	
3/16"	4.8 mm
1/4"	6.4 "
5/16"	8.0 "
3/8"	9.5 "
1/2"	12.7 "
5/8"	15.9 "
3/4"	19.0 "
7/8"	22.2 "
1"	25.4 "

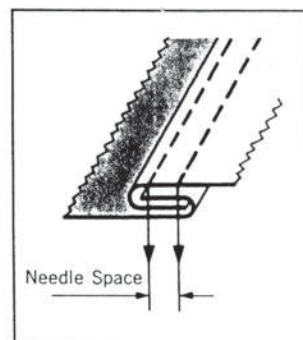
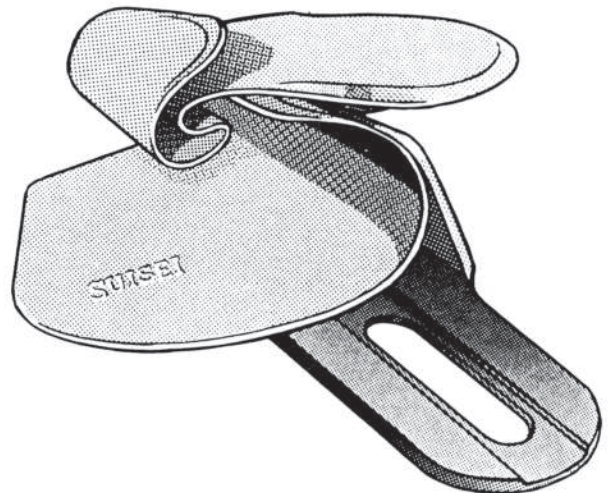
A75D

C



G9E

D



Needle Space	Thickness of Materials				
1/8"	3.2mm	M	MH		
5/32"	4.0 "	M	MH		
3/16"	4.8 "	M	MH	H	XH
1/4"	6.4 "	M	MH	H	XH
5/16"	8.0 "	M	MH	H	XH

A31